

MSR-FIC50A12F-C10-L67 V1.1

50MP Samsung S5KJN1SQ03 MIPI Interface Fixed Focus Camera Module



Front View



Back View

Specifications

Camera Module No.	MSR-FIC50A12F-C10-L67 V1.1
Resolution	50MP
Image Sensor	S5KJN1SQ03
Sensor Type	1/2.76"
Pixel Size	0.64 um x 0.64 um
EFL	6.10 mm
F.NO	2.20
Pixel	8160 x 6144
View Angle	117.2°(DFOV) 97.0°(HFOV) 79.3°(VFOV)
Lens Dimensions	8.50 x 8.50 x 7.00 mm
Module Size	67.00 x 9.00 mm
Module Type	Fixed Focus
Interface	MIPI
Auto Focus VCM Driver IC	None
Lens Type	650nm IR Cut
Operating Temperature	-20°C to +85°C
Mating Connector	BAF04-30083-0500

MSR-FIC50A12F-C10-L67 V1.1

50MP Samsung S5KJN1SQ03 MIPI Interface Fixed Focus Camera Module



Top View



Side View



Bottom View

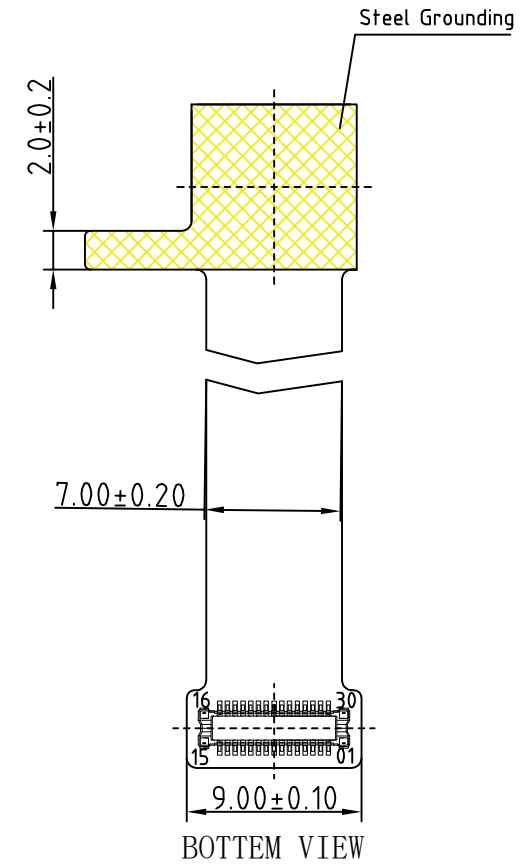
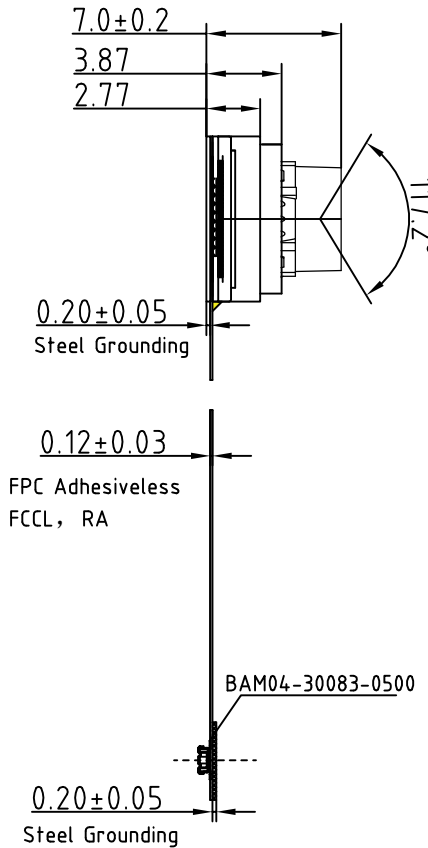
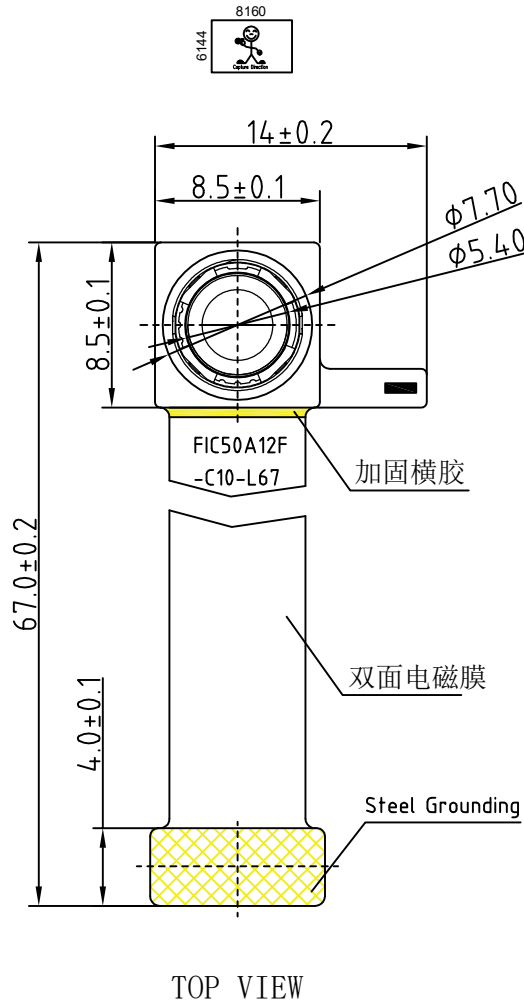


Mating Connector

ROHS

PIN	SIGNAL
1	LED+
2	AF_VDD
3	LED-
4	AF_GND
5	NC
6	DOVDD
7	SDA
8	SCL
9	NC
10	RESET
11	DVDD
12	AVDD
13	AGND
14	MCLK
15	DGND
16	DGND
17	MDP0
18	MDN0
19	DGND
20	MDP1
21	MDN1
22	DGND
23	MDP2
24	MDN2
25	DGND
26	MCP
27	MCN
28	DGND
29	MDP3
30	MDN3

Version	Mark	Information	Date
V1.1	PD	First Version	2023-08-29



NOTE:
The device slave address(L): Write 0x20h/Read 0x21h

Parameters:

1、Sensor specification:

Image Sensor: S5KJN1SQ03
 Pixel Size: 0.64um×0.64um
 Image Size: 1/2.76
 AVDD电压: 2.8V, DOVDD电压: 1.8V
 DVDD电压: 1.05V

2、Lens specification:

FOV: D:117.2°,H:97°,V:79.3°
 F/NO.: 2.2
 TV distortion: -7.05%
 TTL: 6.1mm
 Composition: 6P

www.MicroStarCam.com

Designed By	Kevin	Model Name:	FIC50A12F-C10-L67		
Checked By	Aouly Yan	Projection Type:	Unit:	Material: -----	
			mm	Scale:	Sheet:
			1:1	1 of 1	1/0

S5KJN1SQ03

1/2.76" 50M CMOS Image Sensor for 2x2 TetraCell RGB Bayer Pattern

Revision 0.12

Mar 2022

G5A Gl B; '7cbZXYbhU
5J D'9@97HFCB =7G'@A #198 '#VJ`mUj'Uh'&\$&&"\$*"&\$

Data Sheet

SAMSUNG ELECTRONICS RESERVES THE RIGHT TO CHANGE PRODUCTS, INFORMATION AND SPECIFICATIONS WITHOUT NOTICE.

Products and specifications discussed herein are for reference purposes only. All information discussed herein is provided on an "AS IS" basis, without warranties of any kind.

This document and all information discussed herein remain the sole and exclusive property of Samsung Electronics. No license of any patent, copyright, mask work, trademark or any other intellectual property right is granted by one party to the other party under this document, by implication, estoppel or otherwise.

Samsung products are not intended for use in life support, critical care, medical, safety equipment, or similar applications where product failure could result in loss of life or personal or physical harm, or any military or defense application, or any governmental procurement to which special terms or provisions may apply.

For updates or additional information about Samsung products, contact your nearest Samsung office.

All brand names, trademarks and registered trademarks belong to their respective owners.

© 2022 Samsung Electronics Co., Ltd. All rights reserved.

1 Product Overview

1.1 Introduction

S5KJN1SQ03 is a highly integrated 50 MP camera chip with a CMOS Image Sensor (CIS), image correction functionality and serial transmission capability using 4-lane MIPI. It is designed for fast and low-power operation to deliver full resolution capture at 10 frames per second (fps) and full field of view (4:3) 12.5 MP video at 30 fps.

S5KJN1SQ03 has 2x2 Tetra-Cell RGB Bayer pattern. Each color channel of 2x2 Tetra-Cell RGB Bayer pattern is composed of four pixels of one color filter and its shape is 2x2 square. S5KJN1SQ03 has two output modes. One is binning output mode in which the adjacent same color pixels are summed. The other is normal output mode without binning, but there are changes in the order of output sequence of the real pixel array. In normal output mode, remosaic algorithm is necessary to reconstruct normal Bayer image.

S5KJN1SQ03 is fabricated by the Samsung CMOS image sensor process, which realizes a high-efficiency and low-power photo sensor. The sensor consists of 8160x6144 effective pixels that meets the 1/2.76-inch optical format.

S5KJN1SQ03 CIS has on-chip 10-bit ADC arrays to digitize the pixel output and on-chip Correlated Double Sampling (CDS) to drastically reduce Fixed Pattern Noise (FPN). It incorporates on-chip camera functions such as dark level compensation, defect correction, exposure setting, and white balance setting.

S5KJN1SQ03 CIS is programmable through a CCI or SPI serial interface and includes on-chip One-Time Programmable (OTP) Non-Volatile Memory (NVM).

S5KJN1SQ03 is suitable for a low-power camera module with a 2.8 V/1.8 V/1.05 V power supply.

1.2 Features

S5KJN1SQ03 supports the following features:

- 50 MP sensor with 1/2.76-inch optics
- Unit pixel size: 0.64 μm
- Effective resolution: 8160 (H) \times 6144 (V)
- Active resolution: 8192 (H) \times 6176 (V)
- Color filter: 2x2 Tetra-Cell RGB Bayer pattern
- Shutter type: Electronic rolling shutter and global reset
- Max. normal frame rate: 10 fps @ Full
- Max. video frame rate: 30 fps (2x2 FDSUM) @ 12.5 MP
- Data rate: 2,150 Mbps/lane
- ADC accuracy: 10 bits
- Double Super PD for faster autofocus even in dark environments
- Dual sensor synchronize
- Interfaces
 - Fine interface frequency control using additional dedicated PLL for integration flexibility and to avoid EMI
 - MIPI CSI2: 4 lanes (2.15 Gbps per lane)
 - Output formats: RAW10
- Control interface
 - SPI interface: Four-wire serial communication circuit up to 20 MHz
 - Camera Control Interface (CCI) high-speed I2C-compatible - Two-wire serial communication circuit up to 1 MHz
- 512Bytes of On-chip OTP memory for users
- Maximum Analog Gain of x16 : Full mode
- Maximum Analog Gain of x64 : 2x2 FD sum mode
- Vertical flip and horizontal mirror mode
- 4-SUM mode support
- Mapped bad pixel correction
- Interscene DCG function
- Built-in test pattern generation
- Supply voltage: 2.8 V for analog, 1.8 V for I/O, and 1.05 V for digital core supply
- Operating temperature: -20°C to +85°C

Cameras Applications



Automotive Driver Pilot



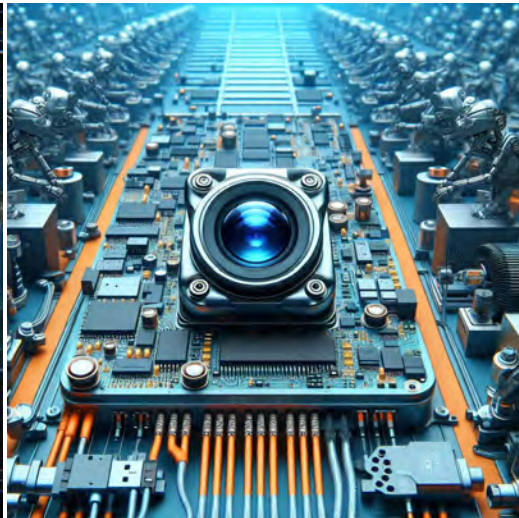
Live Streaming



Video Conference



Eye Tracker Biometric Detection



Machine Vision



Agricultural Monitor



Night Vision Security



Drone and Sports Eagle Eyes



Interactive Pet Camera

Camera Module Pinout Definition Reference Chart

OmniVision	Sony	Samsung	On-Semi	Aptina	Himax	GalaxyCore	PixArt	SmartSens	Sensors
Pin Signal		Description							
DGND	GND								
AGND									
PCLK	DCK								
XCLR	PWDN	XSHUTDOWN	STANDBY						
MCLK	XVCLK	XCLK	INCK						
RESET	RST								
NC	NULL								
SDA	SIO_D	SIOD							
SCL	SIO_C	SIOC							
VSYNC	XVS	FSYNC							
HREF	XHS								
DOVDD									
AFVDD									
AVDD									
DVDD									
STROBE	FSTROBE								
FSIN									
SID									
ILPWM									
FREX									
GPIO									
SLASEL									
AFEN									
MIPI Interface									
MDN0	DN0	MD0N	DATA_N	DMO1N					
MDP0	DP0	MD0P	DATA_P	DMO1P					
MDN1	DN1	MD1N	DATA2_N	DMO2N					
MDP1	DP1	MD1P	DATA2_P	DMO2P					
MDN2	DN2	MD2N	DATA3_N	DMO3N					
MDP2	DP2	MD2P	DATA3_P	DMO3P					
MDN3	DN3	MD3N	DATA4_N	DMO4N					
MDP3	DP3	MD3P	DATA4_P	DMO4P					
MCN	CLKN	CLK_N	DCKN						
MCP	CLKP	MCP	CLK_P	DCKN					
DVP Parallel Interface									
D0	DO0	Y0							
D1	DO1	Y1							
D2	DO2	Y2							
D3	DO3	Y3							
D4	DO4	Y4							
D5	DO5	Y5							
D6	DO6	Y6							
D7	DO7	Y7							
D8	DO8	Y8							
D9	DO9	Y9							
D10	DO10	Y10							
D11	DO11	Y11							

Camera Reliability Test

Reliability Inspection Item			Testing Method	Acceptance Criteria
Category	Item			
Environmental	Storage Temperature	High 60°C 96 Hours	Temperature Chamber	No Abnormal Situation
		Low -20°C 96 Hours	Temperature Chamber	No Abnormal Situation
	Operation Temperature	High 60°C 24 Hours	Temperature Chamber	No Abnormal Situation
		Low -20°C 24 Hours	Temperature Chamber	No Abnormal Situation
	Humidity	60°C 80% 24 Hours	Temperature Chamber	No Abnormal Situation
	Thermal Shock	High 60°C 0.5 Hours Low -20°C 0.5 Hours Cycling in 24 Hours	Temperature Chamber	No Abnormal Situation
Physical	Drop Test (Free Falling)	Without Package 60cm	10 Times on Wood Floor	Electrically Functional
		With Package 60cm	10 Times on Wood Floor	Electrically Functional
	Vibration Test	50Hz X-Axis 2mm 30min	Vibration Table	Electrically Functional
		50Hz Y-Axis 2mm 30min	Vibration Table	Electrically Functional
		50Hz Z-Axis 2mm 30min	Vibration Table	Electrically Functional
	Cable Tensile Strength Test	Loading Weight 4 kg 60 Seconds Cycling in 24 Hours	Tensile Testing Machine	Electrically Functional
Electrical	ESD Test	Contact Discharge 2 KV	ESD Testing Machine	Electrically Functional
		Air Discharge 4 KV	ESD Testing Machine	Electrically Functional
	Aging Test	On/Off 30 Seconds Cycling in 24 Hours	Power Switch	Electrically Functional
	USB Connector	On/Off 250 Times	Plug and Unplug	Electrically Functional



Camera Inspection Standard

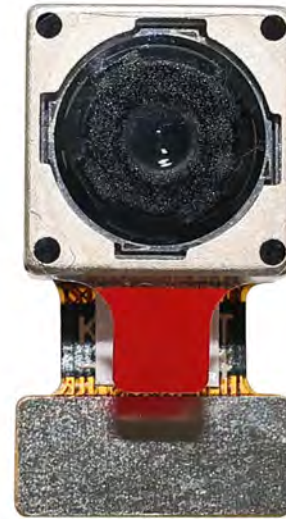
Inspection Item		Inspection Method	Standard of Inspection		
Category	Item				
Appearance	FPC / PCB	Color	The Naked Eye	Major Difference is Not Allowed.	
		Be Torn/Chopped	The Naked Eye	Copper Crack Exposure is Not Allowed.	
		Marking	The Naked Eye	Clear, Recognizable (Within 30cm Distance)	
	Holder	Scratches	The Naked Eye	The Inside Crack Exposure is Not Allowed	
		Gap	The Naked Eye	Meet the Height Standard	
		Screw	The Naked Eye	Make Sure Screws Are Presented (If Any)	
		Damage	The Naked Eye	The Inside Crack Exposure is Not Allowed	
	Lens	Scratch	The Naked Eye	No Effect On Resolution Standard	
		Contamination	The Naked Eye	No Effect On Resolution Standard	
		Oil Film	The Naked Eye	No Effect On Resolution Standard	
		Cover Tape	The Naked Eye	No Issue On Appearance.	
	Function	Image	No Communication	Test Board	Not Allowed
			Bright Pixel	Black Board	Not Allowed In the Image Center
Dark Pixel			White board	Not Allowed In the Image Center	
Blurry			The Naked Eye	Not Allowed	
No Image			The Naked Eye	Not Allowed	
Vertical Line			The Naked Eye	Not Allowed	
Horizontal Line			The Naked Eye	Not Allowed	
Light Leakage			The Naked Eye	Not Allowed	
Blinking Image			The Naked Eye	Not Allowed	
Bruise			Inspection Jig	Not Allowed	
Resolution			Chart	Follows Outgoing Inspection Chart Standard	
Color			The Naked Eye	No Issue	
Noise			The Naked Eye	Not Allowed	
Corner Dark			The Naked Eye	Less Than 100px By 100px	
Color Resolution			The Naked Eye	No Issue	
Dimension	Height	The Naked Eye	Follows Approval Data Sheet		
	Width	The Naked Eye	Follows Approval Data Sheet		
	Length	The Naked Eye	Follows Approval Data Sheet		
	Overall	The Naked Eye	Follows Approval Data Sheet		

YDS (MICROSTAR) Package Solutions

YDS (MicroStar) Camera Module



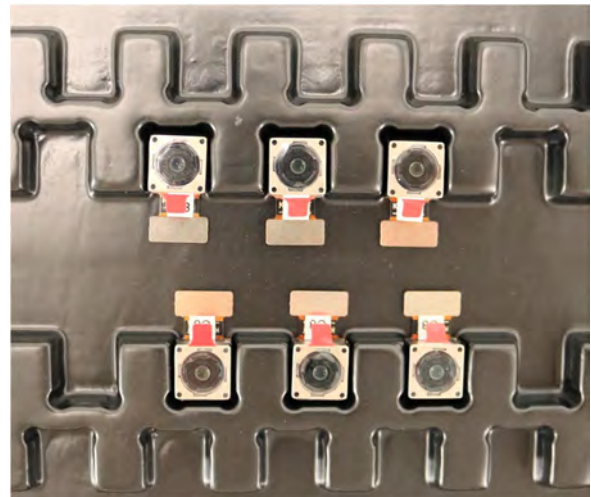
Complete with Lens Protection Film



Tray with Grid and Space

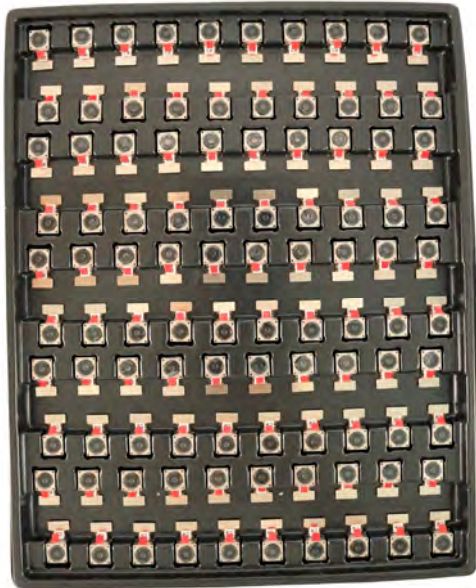


Place Cameras on the Tray

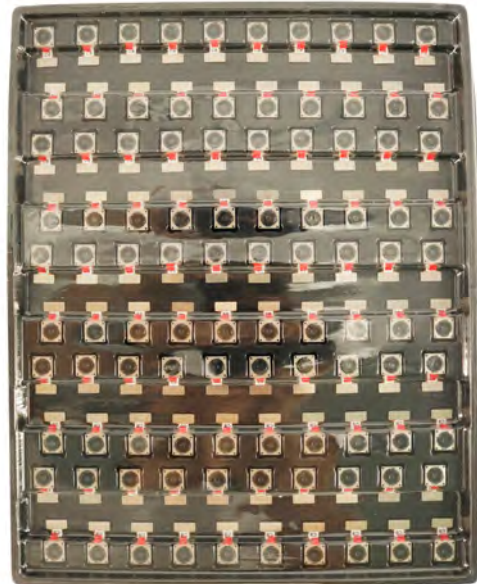


YDS (MICROSTAR) Package Solutions

Full Tray of Cameras



Cover Tray with Lid



Place Tray into Anti-Static Bag



Vacuum the Anti-Static Bag



YDS (MICROSTAR) Package Solutions

Sealed Vacuum Anti-Static Bag with Labels

1. Model and Description 2. Quantity 3. Manufacturing Date Code 4. Caution



YDS (MICROSTAR) Package Solutions

Place Foam Sheets Between Tray Bags



Foam Sheets are Larger Than Trays



Place Foam Sheets and Trays into Box



Foam Sheets are Tightly Fitting in Box



Seal the Carbon Box



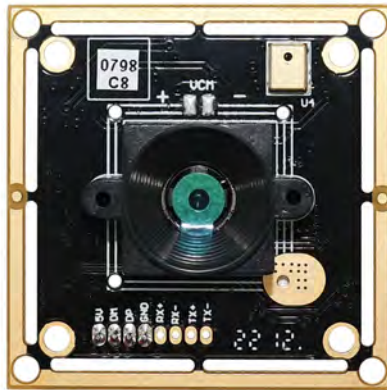
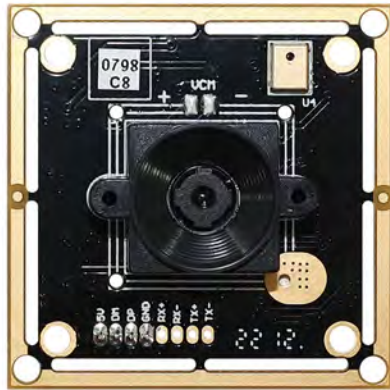
Label the Carbon Shipping Box



YDS (MICROSTAR) Package Solutions

USB Camera Module

Complete with Lens Protection Film



Place Camera Sample into Anti-Static Bag

Place USB Cameras into Tray



Seal the Tray with Anti-Static Bag

Label the Carbon Shipping Box



YDS (MICROSTAR) Package Solutions

Place Camera Sample into Anti-Static Bag



Place Connectors into Anti-Static Bag



Label the Sample Bags



Place Connectors into Reel



Place Samples into the Carbon Box



Place Connectors into the Carbon Box

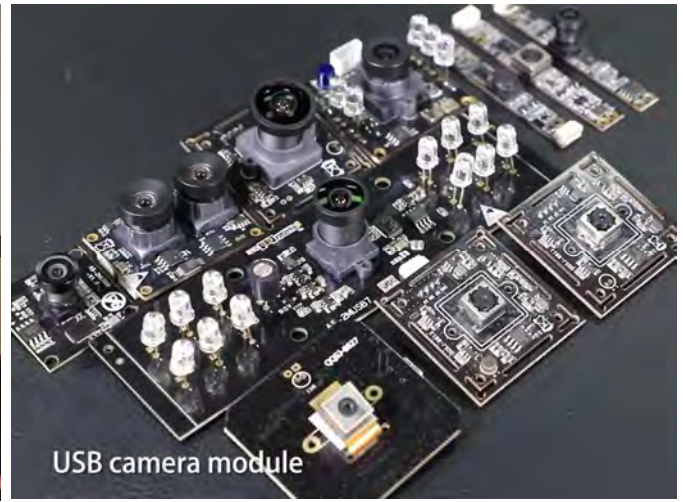


About Our Company YingDeShun Co. Ltd. (Micro Star Brand)

YingDeShun Co. Ltd. (YDS) was established in 2017, a next-generation technology driven manufacturer specialized in research, design, and produce of audio and video products. The brand “Micro Star” is made by YDS. Our factories are occupying 50,000 square feet automated plants with 200 employees of annual throughput 85,000,000 units cameras.

Micro Star (YDS) provides OEM, ODM design, contract manufacturing, and builds the camera products. You may provide the requirements to us, even with a hand draft, our sales and engineering work together to meet your needs. We consider ourselves your long term partner in developing practical and innovative solutions.

Our team covers everything from initial concept development to mass produced product. Micro Star (YDS) specializes in customized camera design, raw material, electronic engineering, firmware/software development, product testing, and packing design. Our experienced strategic supply systems offer a robust and dependable manufacturing capacity for orders of various sizes.



Limited Warranty

Micro Star (YDS) provides the following limited warranty if you purchased the Product(s) directly from YDS company or from Micro Star's website www.MicroStarCam.com. Product(s) purchased from other sellers or sources are not covered by this Limited Warranty. Micro Star guarantees that the Product(s) will be free from defects in materials and workmanship under normal use for a period of one (1) year from the date you receive the product (“Warranty Period”).

For all Product(s) that contain or develop material defects in materials or workmanship during the Warranty Period, Micro Star will, at its sole option, either: (i) repair the Product(s); (ii) replace the Product(s) with a new or refurbished Product(s) (replacement Product(s) being of identical model or functional equivalent); or (iii) provide you a refund of the price you paid for the Product(s).

This Limited Warranty of Micro Star is solely limited to repair and/or replacement on the terms set forth above. Micro Star is not reliable or responsible for any subsequent events.



Our Company Strength

Powerful Factory



Professional Service



Promised Delivery

